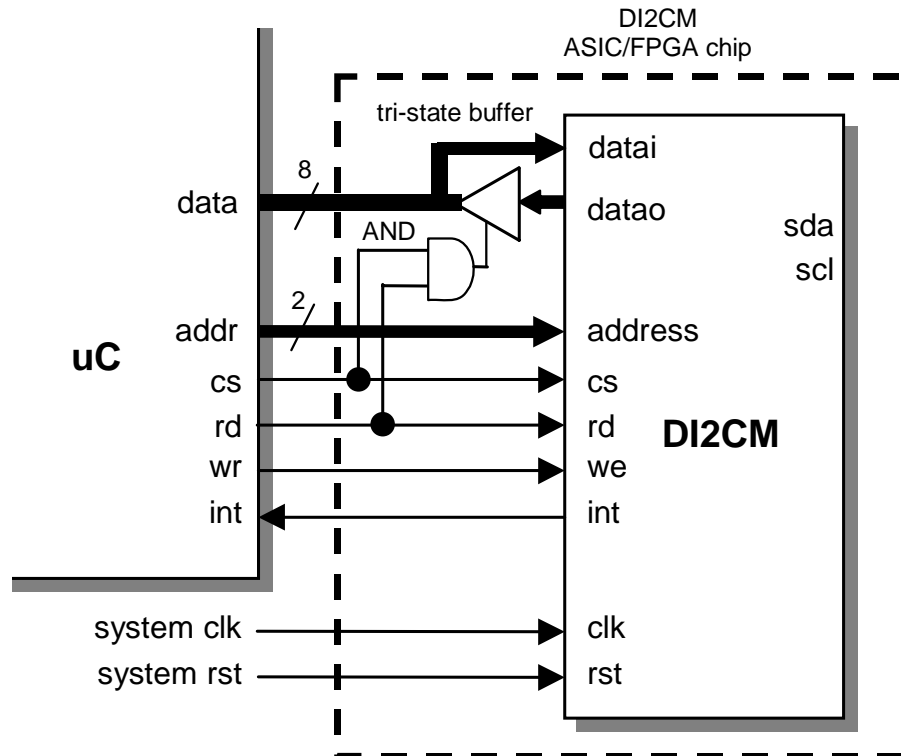


Connection DI2CM Core to microcontroller

This document describe how to connect the DI2CM device to the microcontroller with separated address/data buses.



DI2CM Core connection to the microcontroller.

The data output bus of the DI2CM Core “datao” is connected to the bi-directional microcontroller data bus via a tri-state buffer. Data on the DI2CM “datao” bus appears only during reading the DI2CM contents (cs and rd pins controls the tri-state buffer) by the microcontroller. In any other cases the DI2CM “datao” bus is driven into high-impedance.